

METAL
ARCHITECTURAL
SYSTEMS

We Speak Architect

Those outside the industry would suggest “architect” is not a language. We know better. And at Metal Sales, we are fluent in all of its dialects.

❖ **Design Innovation:** Our roof and wall systems reflect carefully considered design. No matter the design vernacular -- modernist, industrial or classic -- metal roof and wall panels deliver the versatility to make any style come to life.

❖ **Sustainability:** We strive to lead the way in advancing sustainable design and construction, including architectural strategies that drive energy efficiency, LEED certification and Net-Zero construction. We are the first metal panel manufacturer to offer Fluoropolon® Pure coatings and to be included in the exclusive Declare™ program.

❖ **Strength and Durability:** Specify metal roof and wall panel for a service life of 30 to 50 years. Our design and engineering services allow for the warranty of even the most challenging building geometries. For commercial applications, a metal roof will likely be the last roof installed on a structure, lasting two to three times longer than other roof materials and far more resistant to leaks than flat roofs.

❖ **Aesthetics:** The use of metal panels can impart a rustic or modernist appeal to any project. Metal Sales offers a wide range of profiles in a wide variety of colors and finishes for roof and wall applications. This diverse offering satisfies almost all architectural requirements and tastes.

Let us show you how we can translate your inspirations into building designs that leave people – speechless.

Review our most popular profiles in this catalog. For additional options visit metalsales.us.com.



For over 55 years architects, contractors and building owners have trusted Metal Sales for unique and beautiful metal roof and wall systems that stand the test of time, even in the most rigorous environments.

TABLE OF CONTENTS

| STANDING SEAM ROOF SYSTEMS | | | EXPOSED FASTENER WALL AND ROOF SYSTEMS | | |
|---------------------------------|----------------------|--|--|--|--|
| 5 | Magna-Loc | | 17 | T10 Series | |
| 5 | Magna-Loc 180 | | 18 | T16-E, T16-L | |
| 5 | Curved Magna-Loc 180 | | 18 | T2, T3, T4 | |
| 6 | T-Armor Series™ | | 19 | T5, T6-A | |
| 7 | Seam-Loc 24° | | 19 | T2630, T2832 | |
| 7 | Snap-Loc 24° | | 20 | T13, T13-A, T23, T25 | |
| 8 | Vertical Seam | | 20 | TDR-6 | |
| 8 | Mini-Batten | | 21 | IC72-Panel | |
| 8 | Curved Mini-Batten | | 21 | 7/8" Corrugated, 2-1/2" Corrugated | |
| CONCEALED FASTENER WALL SYSTEMS | | | INSULATED WALL AND ROOF PANELS | | |
| 11 | TLC Series | | 23 | IMPower Series™ Insulated Metal Panels | |
| 12 | Apex Series™ | | DESIGN CAPABILITIES | | |
| 12 | Contempra Series™ | | 24 | Retro-Master® System | |
| 13 | Empire Series™ | | 24 | Perforation Mitered Corners Curved Panel Options | |
| 14 | TL Series | | 25 | Coating Systems | |
| 15 | Soffit Panel | | 26 | Technical Support | |
| | | | 27 | Finishes and Capabilities Chart | |

Standing Seam Roof Systems

Metal Sales standing seam systems are some of the most popular and versatile options for installation over open framing or solid substrate. Our wide selection of profile and panel options are dependable, long-lasting and beautiful while still meeting project performance requirements.

- Finishes: PVDF and Acrylic Coated Galvalume
- Optional Finishes: Metallic, Nova, Prints, Rustica and Kameleon
- Optional materials: stainless steel, aluminum, weathering steel and copper
- Installs over open framing or solid substrate
- Contact Metal Sales Technical Services Department and in-house Engineers for the latest Testing and Approval information

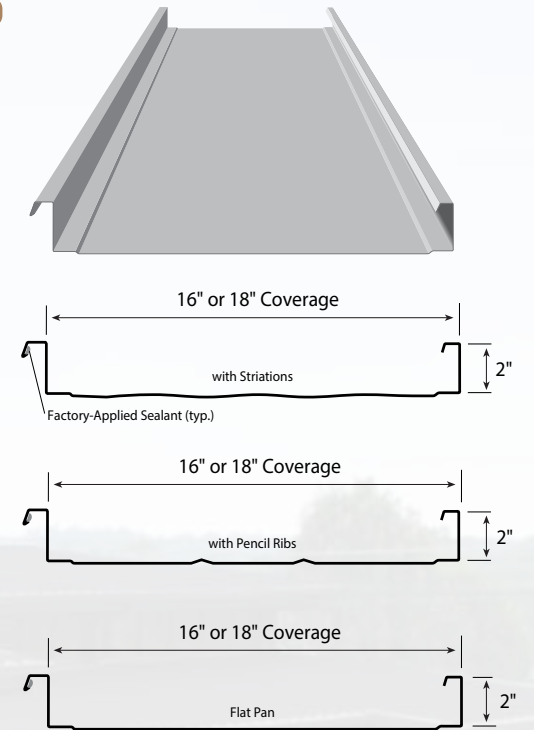


Cardiology Woodland Medical Building | Elizabethtown, KY
Magna-Loc Roof Panels ▶ Dark Bronze

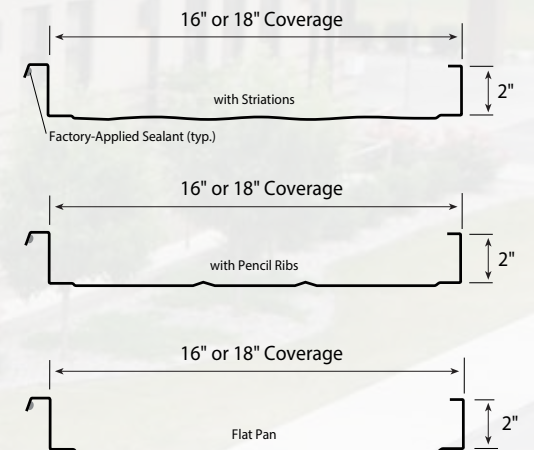
MAGNA-LOC / MAGNA-LOC 180

- Structural standing seam roof system
- Panel coverages: 16" or 18"
- Rib height: 2"
- Gauges: 24 ga. standard; 22 ga. optional
- Mechanically-seamed side lap resists wind uplift and remains weather-tight
- Ideal for both low slope and steep slope applications
- Magna-Loc 180 option gives the seam increased strength for the most demanding roof applications

Magna-Loc

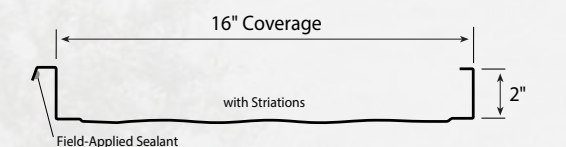
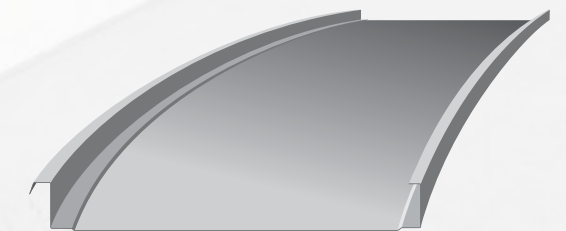


Magna-Loc 180



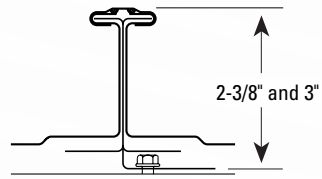
CURVED MAGNA-LOC 180

- Structural standing seam curved roof system
- Panel coverage: 16"
- Rib height: 2"
- Gauges: 24 ga. standard
- Minimum radius: 20'-0"
- Mechanically-seamed side lap resists wind uplift and remains weather-tight
- Portable curving machine for on-site curving when required

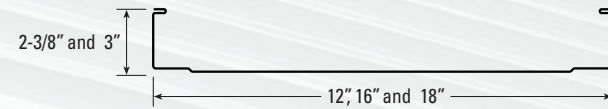
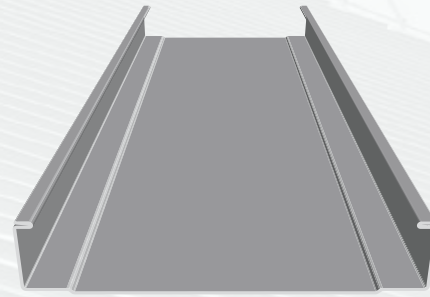


T-ARMOR SERIES™

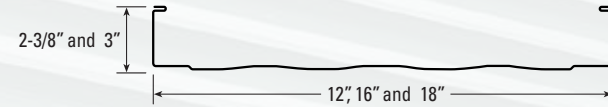
- Structural standing seam roof system
- Panel coverage: 12", 16" and 18"
- Rib height: 2-3/8" and 3"
- Gauges: 24 ga. standard; 22 ga., 20 ga. optional
- Minimum roof slope: 1/2:12
- Mechanically-seamed "T" rib gives you the flexibility to remove individual panels without disturbing other installed panels
- The symmetrical rib allows it to be installed left to right, right to left or both



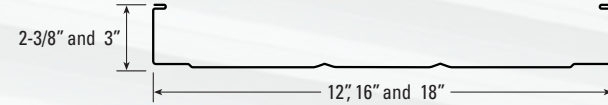
Flat Pan



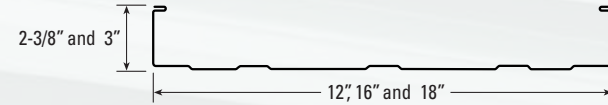
Striated



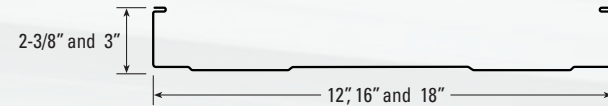
Pencil Rib



Minor Rib



Plank

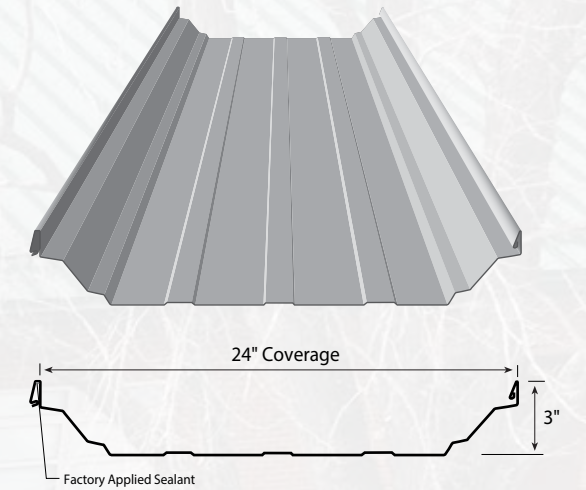


Mesa



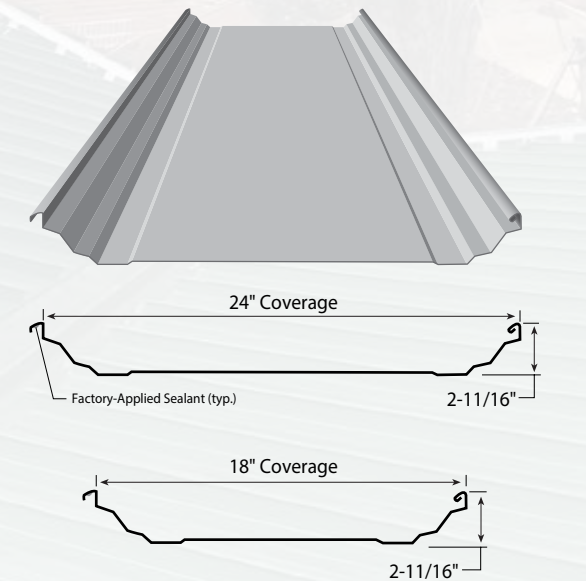
SNAP-LOC 24°

- Structural standing seam roof system
- Panel coverage: 24"
- Rib height: 3"
- Gauges: 24 ga. standard; 22 ga. optional
- Minimum roof slope: 1/4:12
- Concealed clip designed for thermal movement
- Snap-seam rib design for easy installation
- Snap-Loc 24 is best suited for long, straight panel runs on industrial, commercial and storage buildings



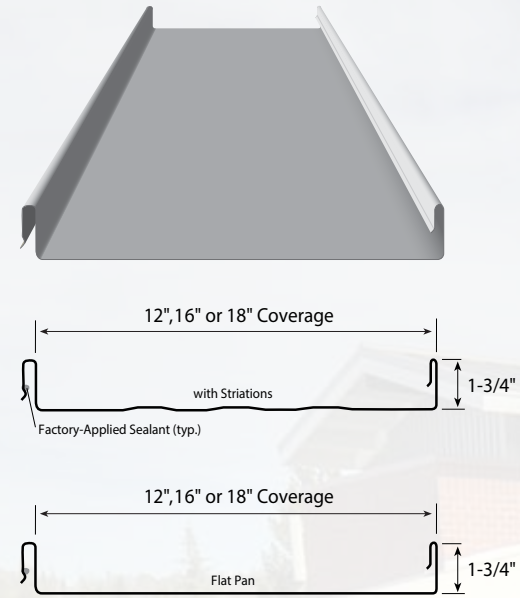
SEAM-LOC 24°

- Structural standing seam roof system
- Panel coverage: 24" or 18"
- Rib height: 2-11/16"
- Gauges: 24 ga. standard; 22 ga. optional
- Minimum roof slope: 1/4:12
- Concealed clip designed for thermal movement
- The tall rib design and unique trapezoidal shape channel water off your roof even in very low slope applications
- 24" wide coverage means less clips than a 16" wide panel resulting in faster installation



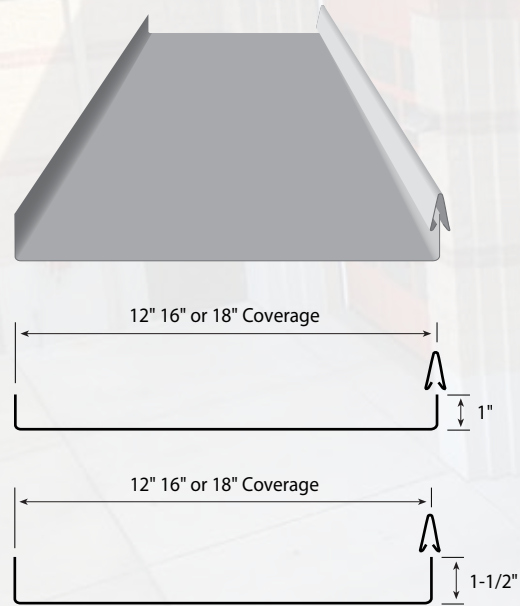
VERTICAL SEAM

- Structural standing seam roof system
- Panel coverages: 12", 16" or 18"
- Rib height: 1-3/4"
- Gauges: 24 ga. standard; 22 ga. optional
- Snap-together panel system with factory-applied side-lap sealant
- Minimum roof slope over open framing 3:12
- Minimum roof slope over solid substrate 1:12
- Concealed clip designed for unlimited thermal movement



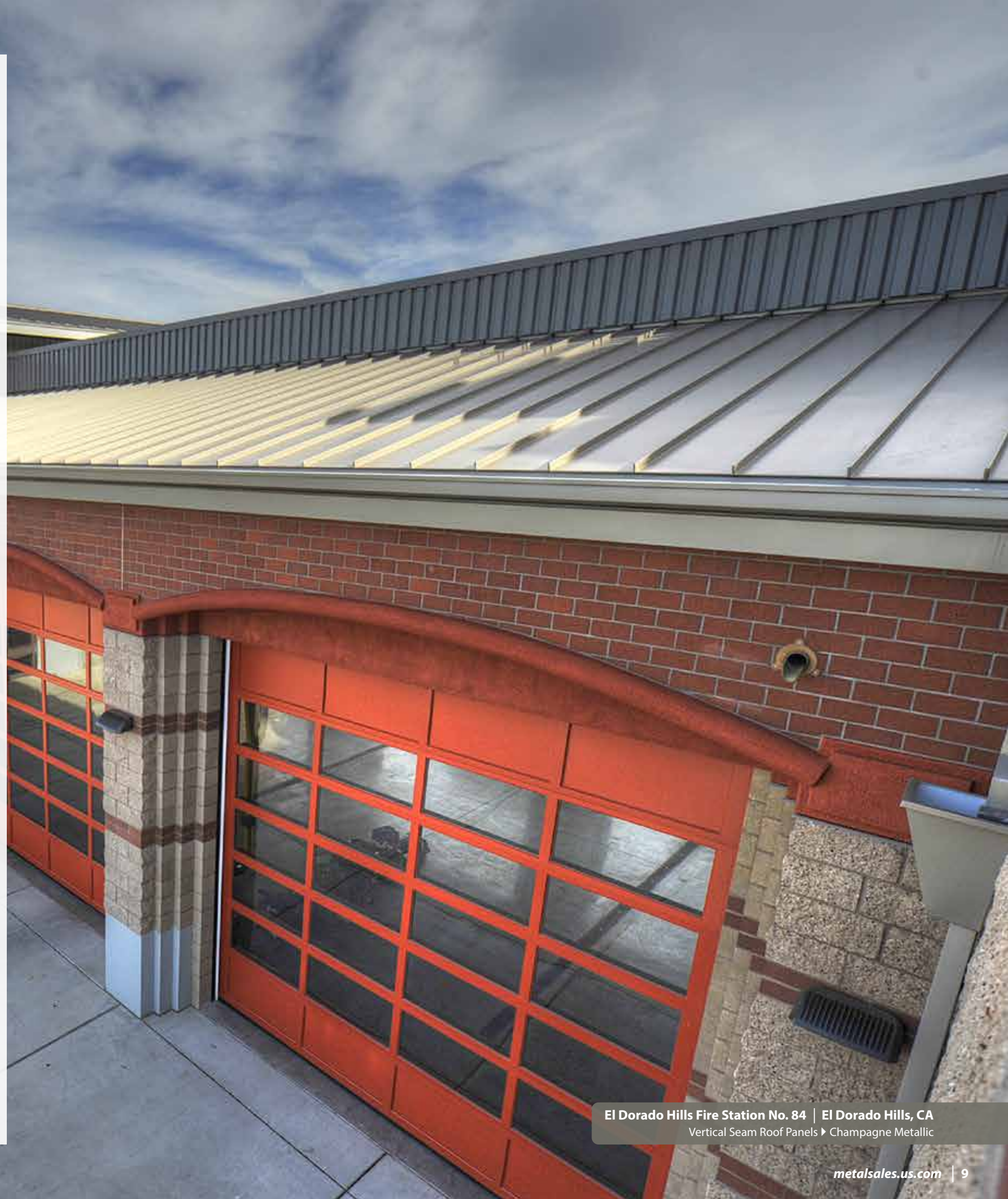
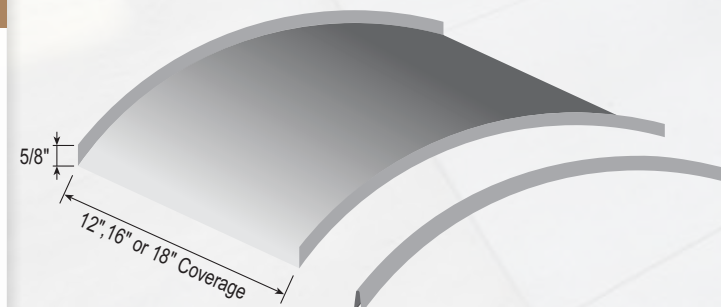
MINI-BATTEN

- Standing seam roof system
- Panel coverages: 12", 16" or 18"
- Rib height: 1" and 1-1/2" with a narrow batten cap
- Gauges: 24 ga. standard; 22 ga. optional
- Minimum roof slope: 3:12
- Concealed clip secures snap-on batten cap



CURVED 1" MINI-BATTEN

- Standing seam roof system
- Panel coverages: 12", 16" or 18"
- Gauges: 24 ga. standard; 22 ga. optional
- Minimum radius: 4'-0" pan and batten
- Concealed clip designed
- Whether it's an accent or an entire roof, Curved Mini-Batten panels give your project a unique look



Concealed Fastener Wall Systems

For a high performance solution, opt for concealed fastener wall systems from Metal Sales. These sleek exterior options give designers a clean aesthetic, with no visible fasteners to interrupt the visual effect.

- Finishes: PVDF and Acrylic Coated Galvalume
- Optional Finishes: Metallic, Nova, Prints, Rustica and Kameleon
- Optional materials: stainless steel, aluminum and weathering steel
- Horizontal and Vertical applications for increased design flexibility
- Installs over open framing or solid substrate
- Custom capabilities include: Perforated panels for wind screens and liner panels
- Contact Metal Sales Technical Services Department and in-house Engineers for the latest Testing and Approval information

Flex Tech Community College | Cheyenne, WY
 T10-D, TL-17, TL-17C, TL-17D Wall Panels ▶ Old Town Grey
 Vertical Seam, T2 Roof Panels ▶ Old Town Grey



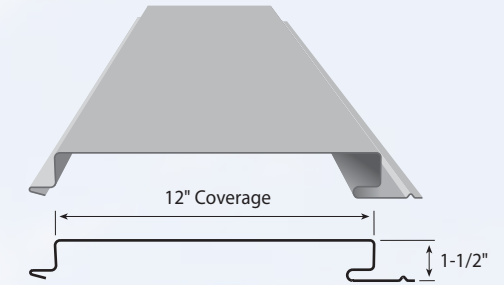
TLC SERIES

- Concealed direct-fastened panel for wall, soffit, fascia or liner applications
- Panel coverage: 12"
- Panel depth: 1-1/2"
- 40'-0" maximum length*
- Mix and match panel profiles due to common joinery
- Gauges: 24 ga. standard; 22 ga., 20 ga. optional

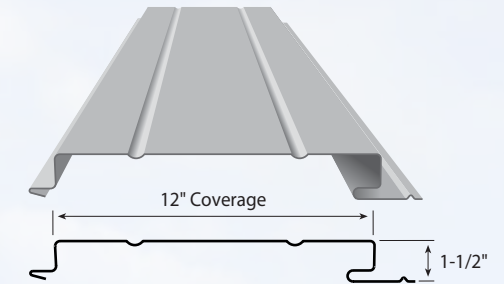
* Maximum length is limited only by the possibility of oil canning occurring at longer lengths. To minimize this potential, we recommend specifying 22 gauge or 20 gauge if a long length is desired. Please contact your Metal Sales representative for assistance.



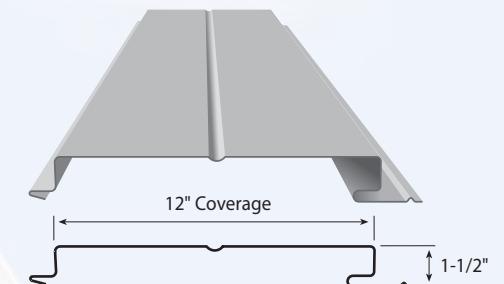
TLC-1



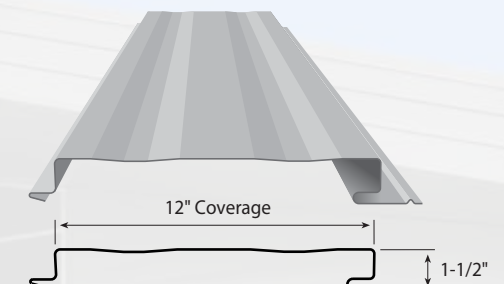
TLC-2



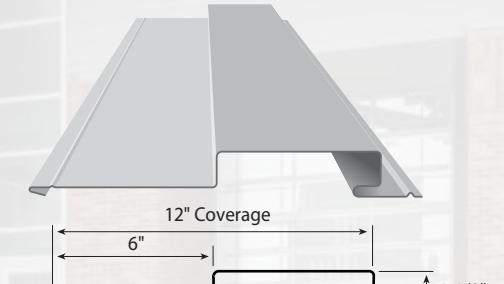
TLC-3



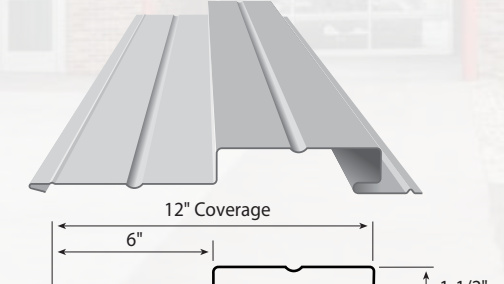
TLC-4



TLC-9



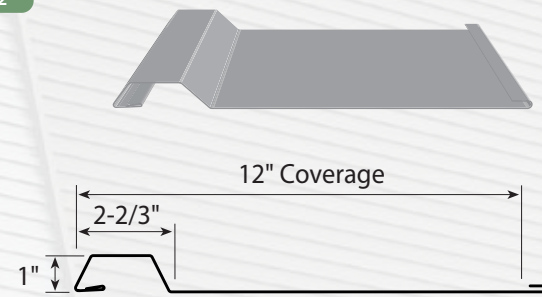
TLC-10



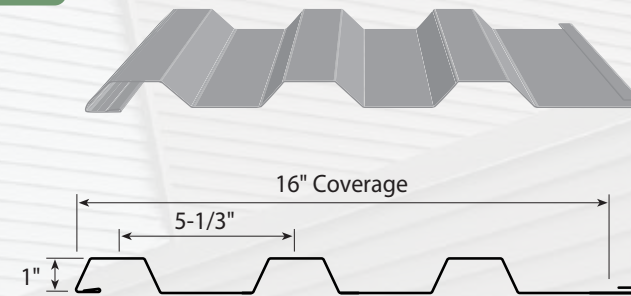
APEX SERIES™

- Symmetrical trapezoidal rib profile
- Gauges: 24 ga. standard; 22 ga. optional
- Weathertight Warranty available
- Horizontal and vertical installation
- Panel lengths available from 5'-0" to 30'-0" max
- Fully integrates with Contempra Series and Empire Series profiles to create unique shadow lines
- Universal clip design allows for thermal and seismic movement

AP1-1212



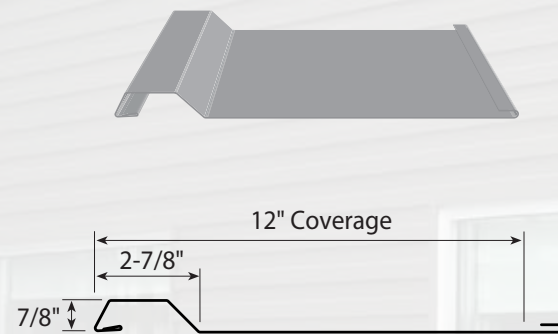
AP1-1653



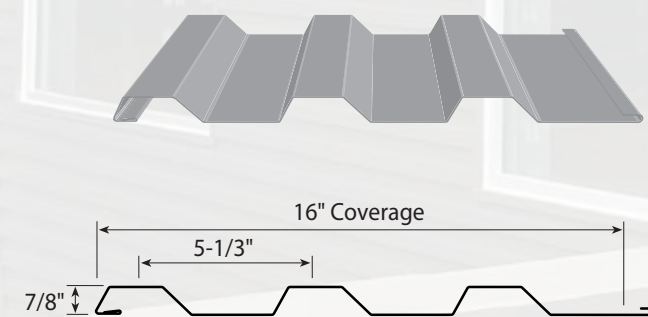
CONTEMPRA SERIES™

- Asymmetrical trapezoidal rib profile for a unique louver look and feel
- Gauges: 24 ga. standard; 22 ga. optional
- Weathertight Warranty available
- Horizontal and vertical installation
- Panel lengths available from 5'-0" to 30'-0" max
- Available in a wide variety of colors and finishes
- Integrates with Apex Series and Empire Series profiles to create unique shadow lines
- Universal clip design allows for thermal and seismic movement

CN88-1212



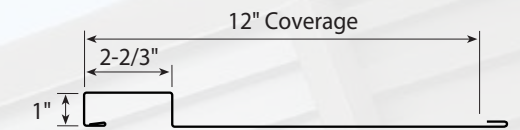
CN88-1653



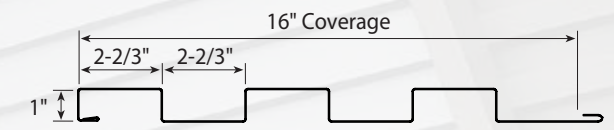
EMPIRE SERIES™

- Box rib profile offering a unique combination of bold, clean, symmetrical lines
- Gauges: 24 ga. standard; 22 ga. optional
- Weathertight Warranty available
- Horizontal and vertical installation
- A wide variety of profiles offers a greater range of design flexibility
- Panel lengths available from 5'-0" to 30'-0" max
- Integrates with Apex Series and Contempra Series profiles to create unique shadow lines
- Universal clip design allows for thermal and seismic movement

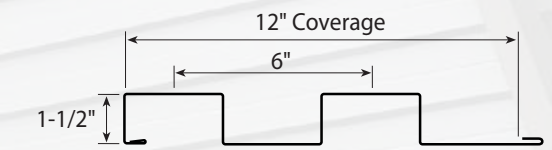
EM1-1212



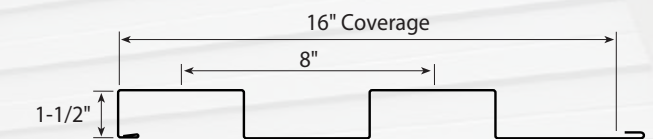
EM1-1653



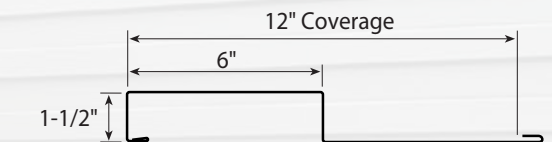
EM15-126



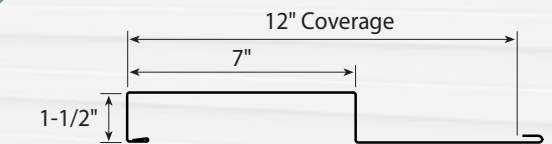
EM15-168



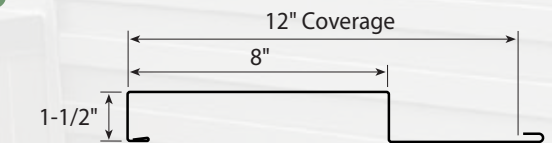
EM15-1266



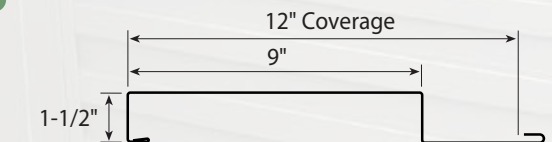
EM15-1275



EM15-1284



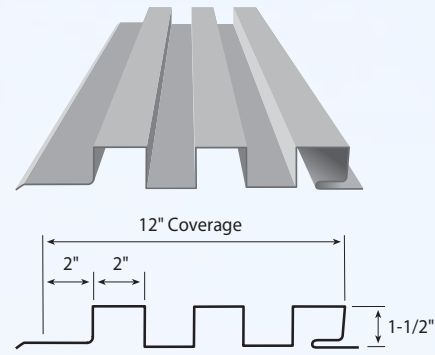
EM15-1293



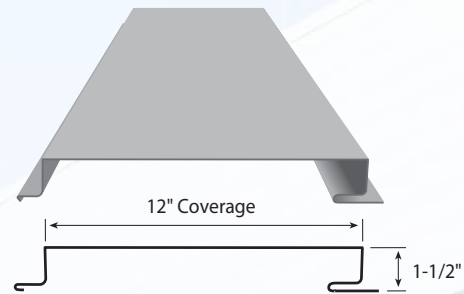
TL SERIES

- Concealed direct-fastened panel for wall, soffit, fascia or liner applications
- Horizontal and vertical installation
- Unique box rib profiles combined with flush face panels give your project a cost-effective custom look
- Common joinery provides flexibility to mix and match panel profiles for unique design options
- Panel coverage: 12"
- Panel depth: 1-1/2"
- 30'-0" maximum length
- Gauges: 24 ga. standard; 22 ga., 20 ga., 18 ga. optional

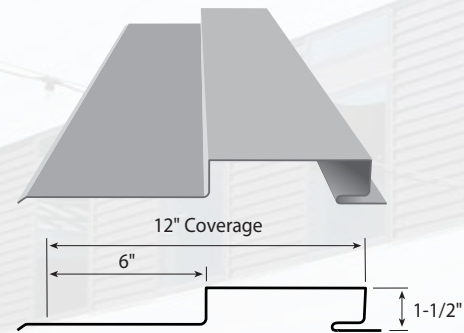
TL-1222



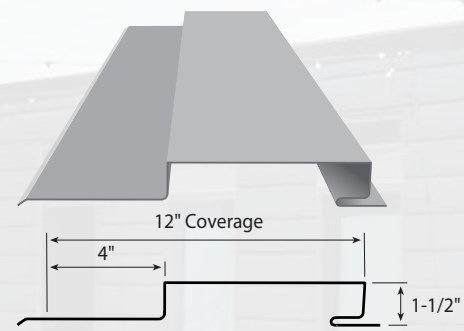
TL-17



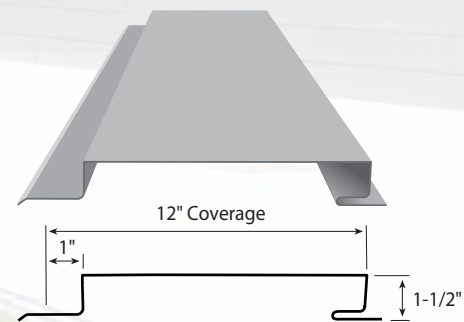
TL-17A



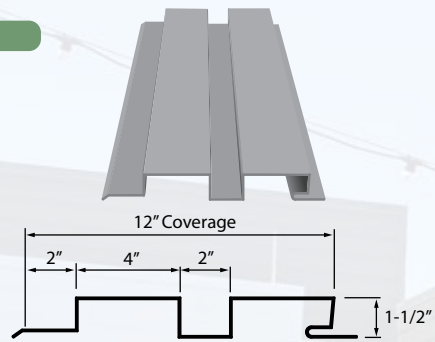
TL-17C



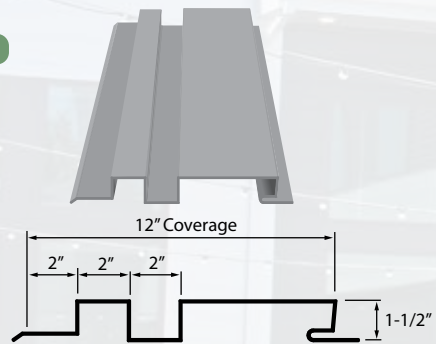
TL-17D



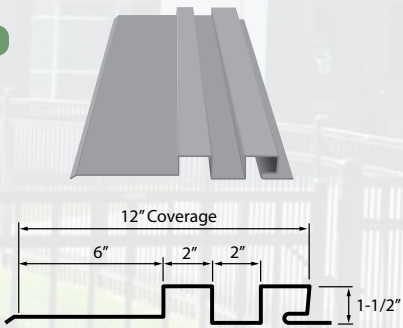
TL-1224



TL-1226



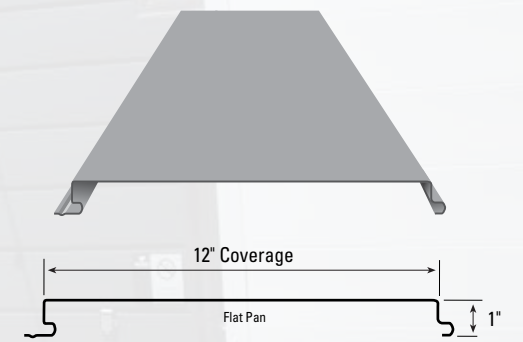
TL-1262



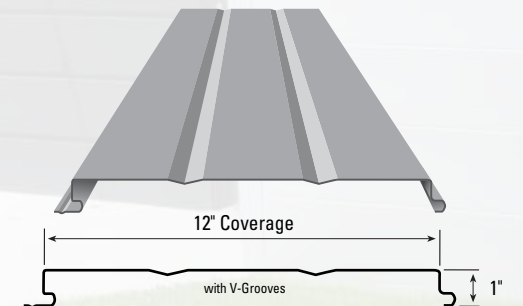
SOFFIT PANEL

- Concealed direct-fastened flush panel system for wall, soffit, fascia or liner applications
- Panel coverage: 12"
- Panel Depth: 1"
- Gauge: 24 ga. standard; 0.032" aluminum optional
- Perforated aluminum optional
- Applies over open framing or solid substrate

Flat Pan



V-Grooves



Exposed Fastener Wall and Roof Systems

These Metal Sales panels for roof and wall applications. Wall panels can be installed vertically and horizontally. Our exposed fastener line offers the broadest range of panel profiles, including corrugated, trapezoidal ribs and box-shaped ribs from 3/4" to 4-1/2" panel depths.

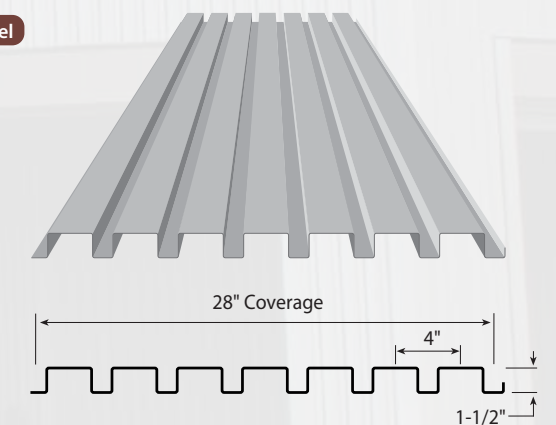
- Finishes: PVDF and Acrylic Coated Galvalume
- Optional Finishes: Metallic, Nova, Prints, Rustica and Kameleon
- Gauges: 24 ga. standard, 22 ga., 20 ga. and 18 ga. optional
- Optional materials: stainless steel, aluminum and weathering steel
- Horizontal and Vertical applications for increased design flexibility
- Installs over open framing or solid substrate
- Custom capabilities include: Perforated panels for wind screens and liner panels
- Contact Metal Sales Technical Services Department and in-house Engineers for the latest Testing and Approval information



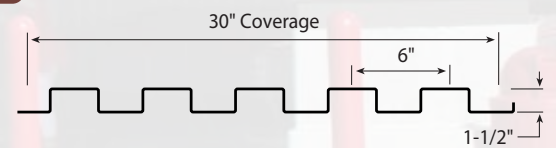
T10 SERIES

- Exposed direct-fastened panel for wall, soffit, fascia and liner applications
- Applies over open framing or solid substrate
- Panel coverage: 28", 30" and 36"
- Rib height: 1-1/2"
- Gauges: 24 ga. standard; 22 ga., 20 ga., 18 ga. optional
- 90° vertical box ribs on 4", 6" and 9" centers

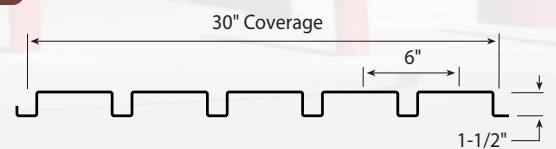
T10-A Wall Panel



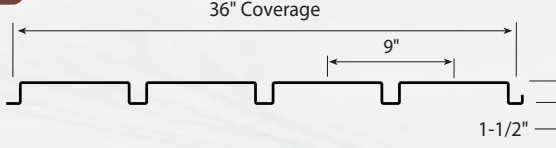
T10-B Wall Panel



T10-C Wall Panel



T10-D Wall Panel

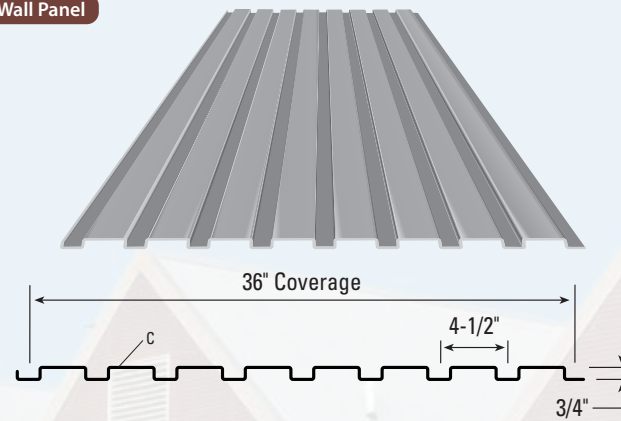


T16-E*, T16-L

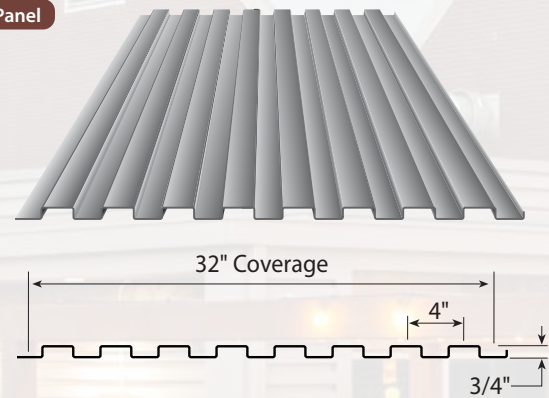
- Exposed direct-fastened low profile wall panel
- Shallow box ribs for easy installation and integration with other wall materials
- Panel coverages: 36" and 32"
- Rib height: 3/4"
- Gauges: 24 ga. standard; 22 ga., 20 ga., 18 ga. optional

*Roof panel option for T16-E is available
 • Minimum roof slope: 1:12

T16-E Wall Panel



T16-L Wall Panel

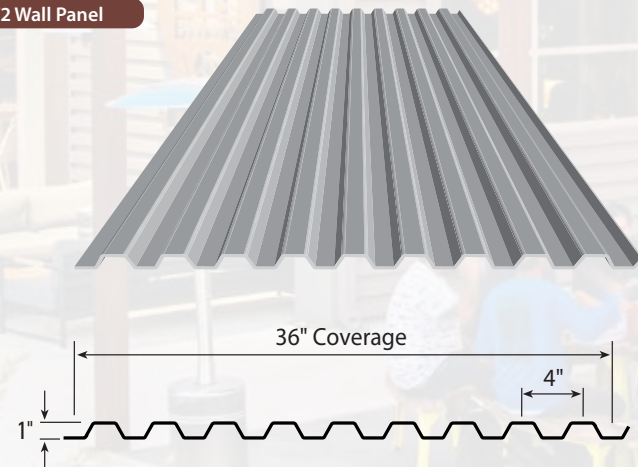


T2*, T3*, T4*

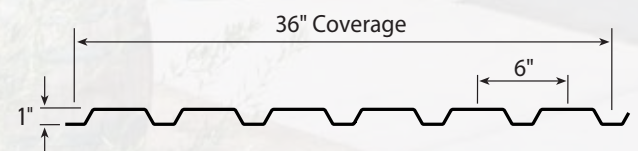
- Exposed direct-fastened wall and roof panel
- Panel coverage: 36" and 40"
- Rib height: 1"
- Gauges: 24 ga. standard; 22 ga., 20 ga., 18 ga. optional
- Trapezoidal rib on 6" and 8" centers

*Roof panel options for these profiles are available
 • Minimum roof slope: 1:12

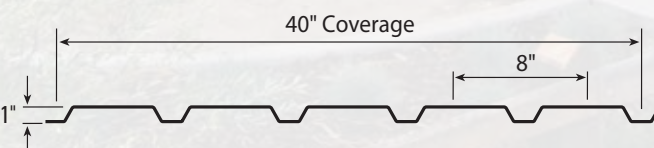
T2 Wall Panel



T3 Wall Panel



T4 Wall Panel

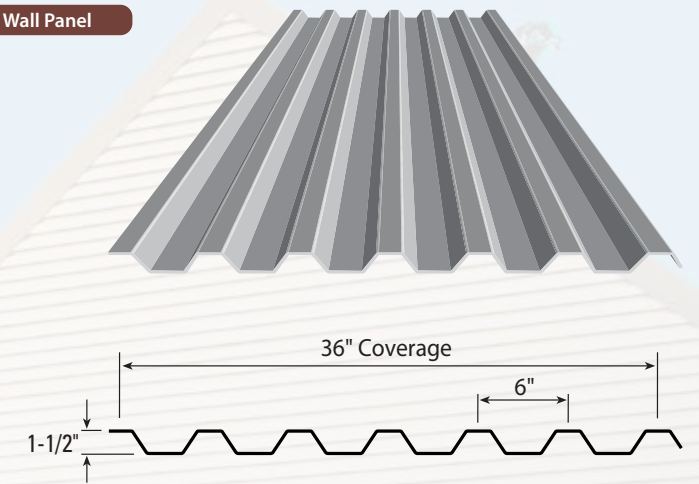


T5*, T6-A*

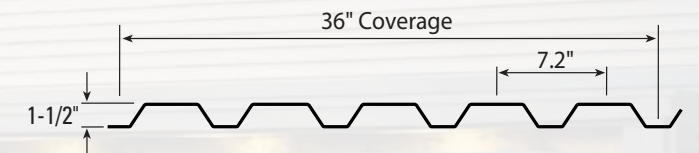
- Exposed direct-fastened wall and roof panel
- Panel coverage: 36" and 40"
- Rib height: 1-1/2"
- Gauges: 24 ga. standard; 22 ga., 20 ga., 18 ga. optional
- Trapezoidal rib on 6" and 8" centers

*Roof panel options for these profiles are available
 • Minimum roof slope: 1:12

T5 Wall Panel



T6-A Wall Panel

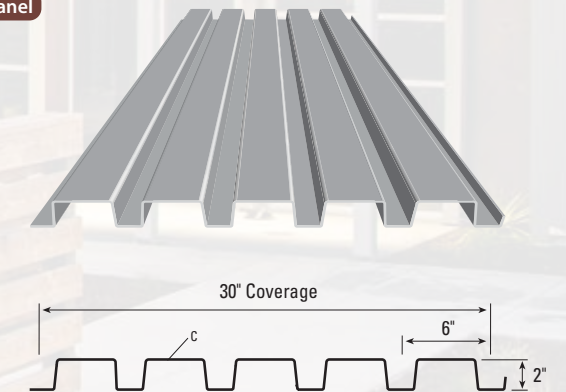


T2630*, T2832*

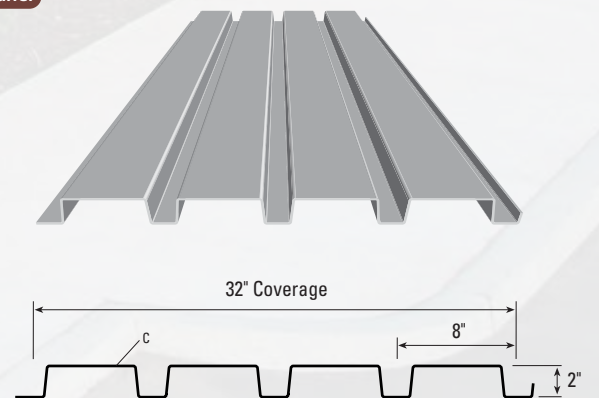
- Exposed direct-fastened roof and wall panel
- Deeper ribs for more defined panel lines
- Panel coverage: 30" and 32"
- Rib height: 2"
- Gauges: 24 ga. standard; 22 ga., 20 ga. optional

*Roof panel options for these profiles are available
 • Minimum roof slope: 1:12

T2630 Wall Panel



T2832 Wall Panel



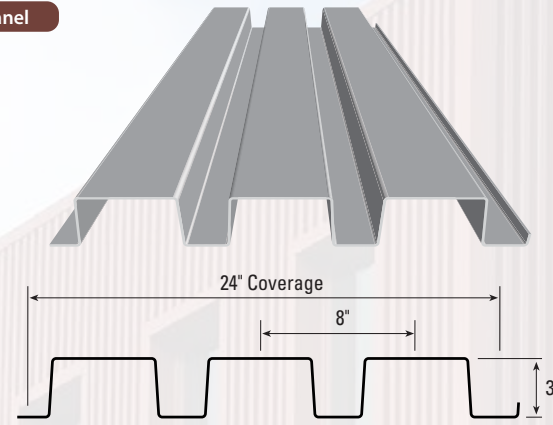
T13, T13-A, T23, T25

- Exposed direct-fastened deep-rib roof and wall panel
- Deep ribs for bold, clean lines
- Applies over open framing or solid substrate
- Panel coverage: 32"
- Rib heights: 3" and 4"
- Gauges: 24 ga. standard; 22 ga., 20 ga. optional

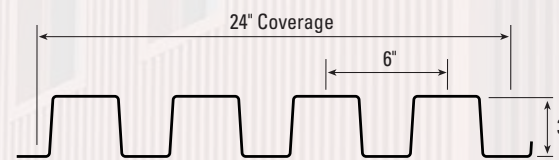
*Roof panel options for these profiles are available

- Minimum roof slope: 1:12

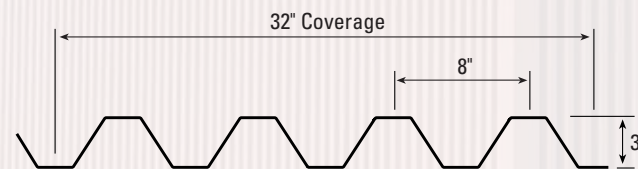
T13 Wall Panel



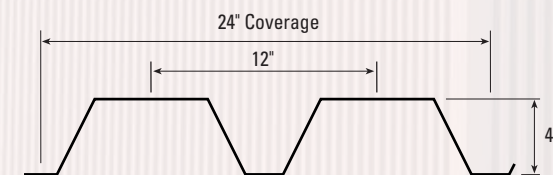
T13-A Wall Panel



T23 Wall Panel



T25 Wall Panel



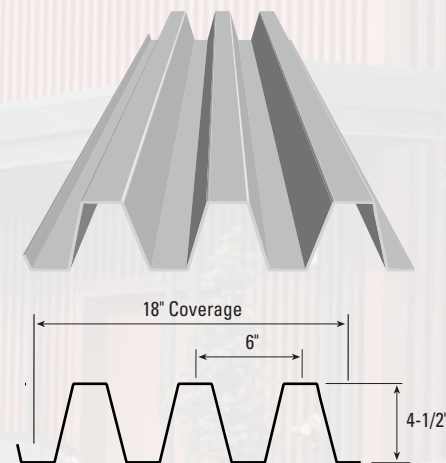
TDR-6

- Exposed direct-fastened, deep-rib wall and roof panel
- Deep ribs add additional strength making it perfect for roof top equipment screens and wind screens
- Panel coverage: 18"
- Rib height: 4-1/2"
- Gauges: 24 ga. standard; 22 ga., 20 ga. optional

*Roof panel options for these profiles are available

- Minimum roof slope: 1:12

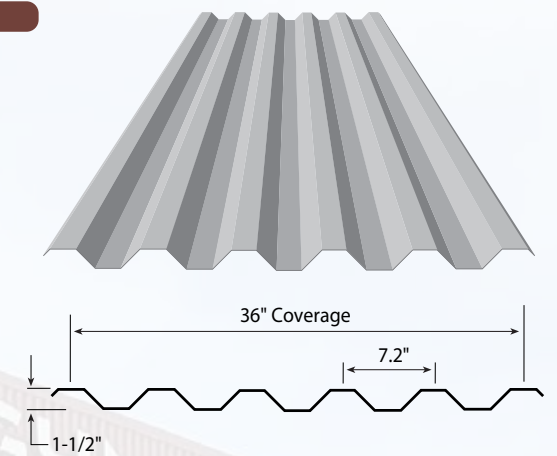
TDR-6 Wall Panel



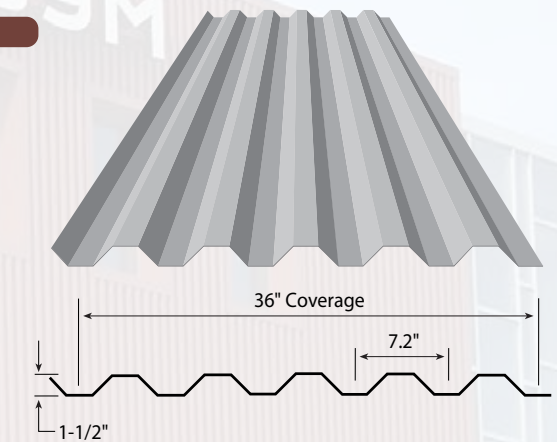
IC72-PANEL

- Exposed direct-fastened roof and wall panel
- Panel coverage: 36"
- Rib height: 1-1/2"
- Minimum roof slope: 1:12
- Gauges: 24 ga. standard; 22 ga., 20 ga. optional
- Classic 7.2" rib spacing

Roof Panel

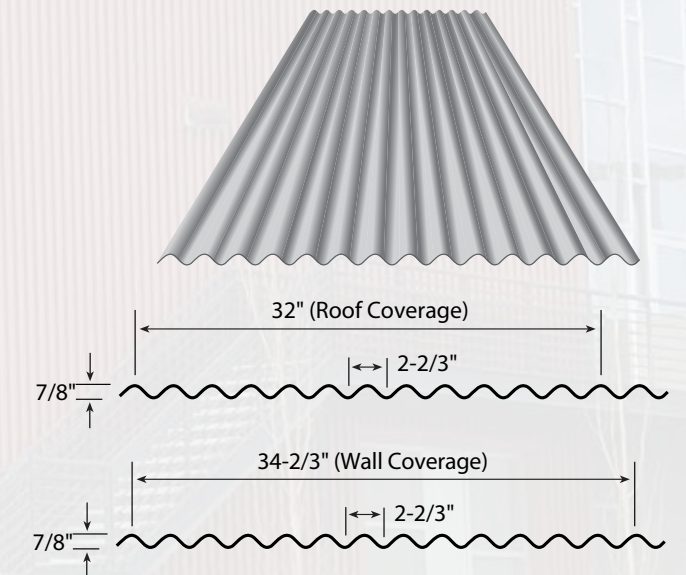


Wall Panel



7/8" CORRUGATED

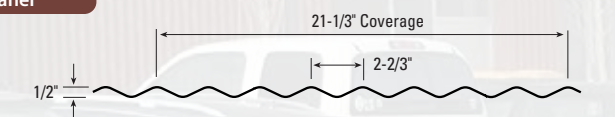
- Exposed direct-fastened roof and wall panel
- Panel coverages: 32" roof, 34-2/3" wall
- Rib height: 7/8"
- Gauges: 24 ga. standard; 22 ga., 20 ga. optional
- Minimum roof slope: 1:12



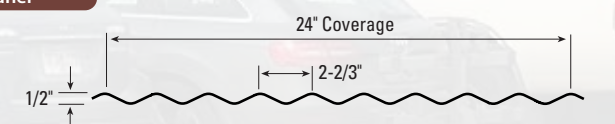
2-1/2" CORRUGATED

- Exposed direct-fastened roof and wall panel
- Roof Panel coverage: 21-1/3"
- Wall Panel coverage: 24"
- Rib height: 1/2"
- Gauge: 24 ga. standard
- Minimum roof slope: 3:12

Roof Panel



Wall Panel



Insulated Metal Panel Wall and Roof Systems

IMPower Series™ Insulated Metal Panels from Metal Sales deliver the superior thermal capabilities and excellent design flexibility that architects, owners and contractors demand. IMPower Series systems are ideal for multiple building applications – from schools, corporate offices and high-end retailers to airplane hangars, warehouses and sports complexes.

Versatile:

- Can be used in vertical or horizontal applications

More Energy Efficient:

- Closed cell Class I fire resistant polyisocyanurate insulation and self-aligning, double interlocking tongue and groove joints with concealed fasteners create an air- and water-tight seal to stabilize interior environments

Single Component:

- Factory-injected insulation is continuously foamed in-place and integrated with dual metal facing panels to create a single high strength composite

Measurable Savings:

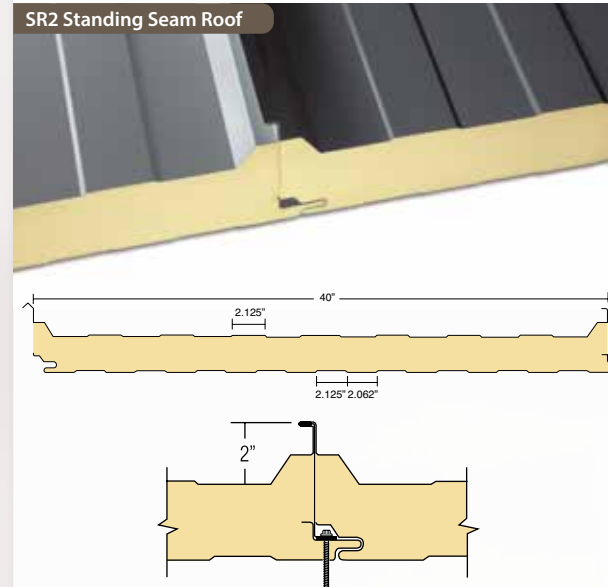
- Fast one-pass, single component installation eliminates the inefficiencies of multi-piece field assembled wall and roof systems saving in installation time and labor costs

Water Treatment Plant | Glenwood Springs, CO
HE40 IMPower Wall Panels | Colonial Red

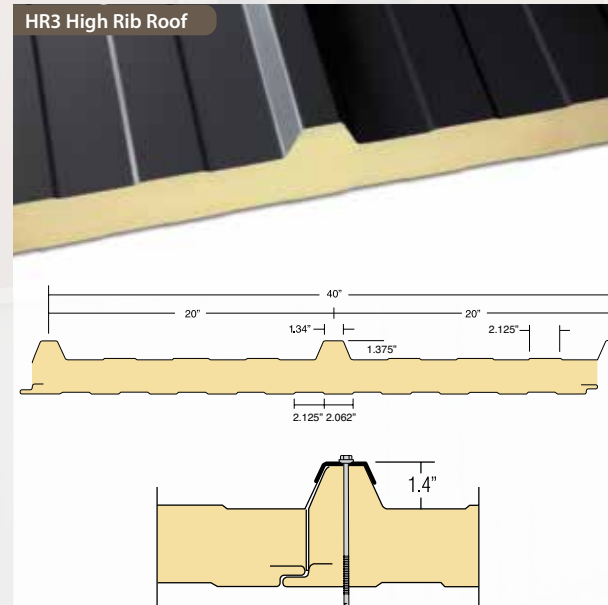
IMPOWER SERIES™

- Superior thermal insulation capabilities compared to other insulating materials with an R-value of 8 per inch
- Factory-injected foam insulation between dual steel facings
- Hidden fastener systems with a variety of profiles, colors, finishes, accessories and trims integrate into any building design
- Closed cell insulating core provides approximately R-8 per inch of thickness
- Wall Panel Thicknesses: 2", 2.5", 3" and 4"
- Roof Panel Thicknesses: 2.5", 3.25", 4", 5" and 6"
- Gauges: 26 ga. standard, 24 and 22 optional
- Finishes: PVDF and SMP

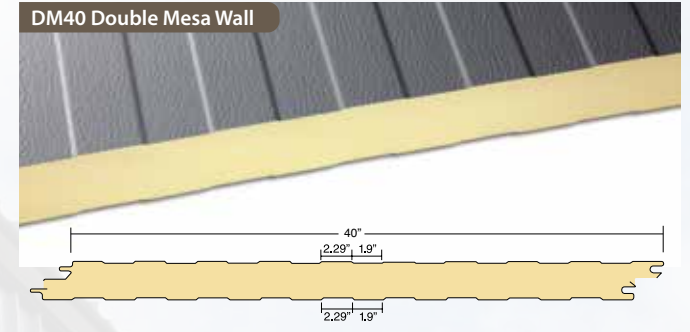
SR2 Standing Seam Roof



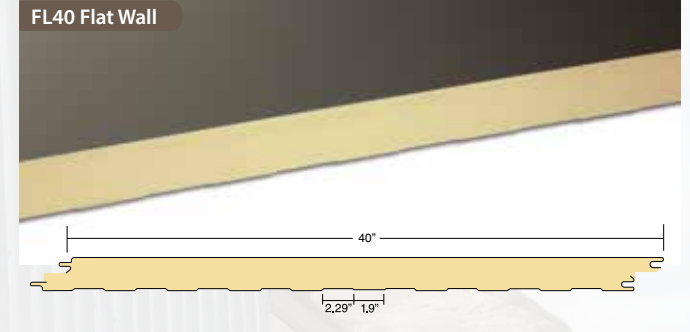
HR3 High Rib Roof



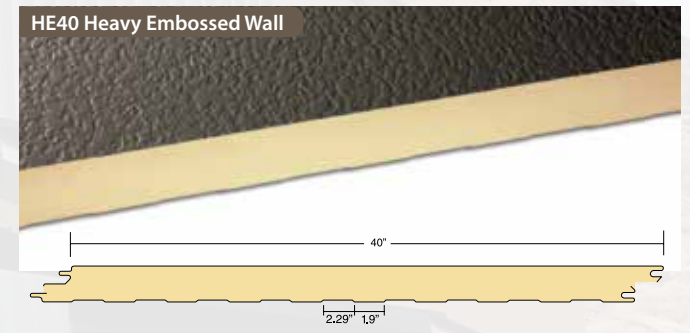
DM40 Double Mesa Wall



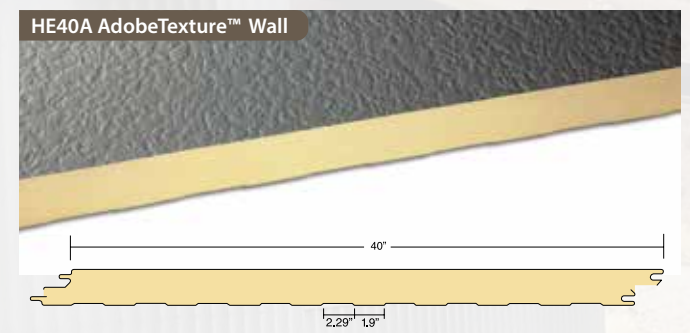
FL40 Flat Wall



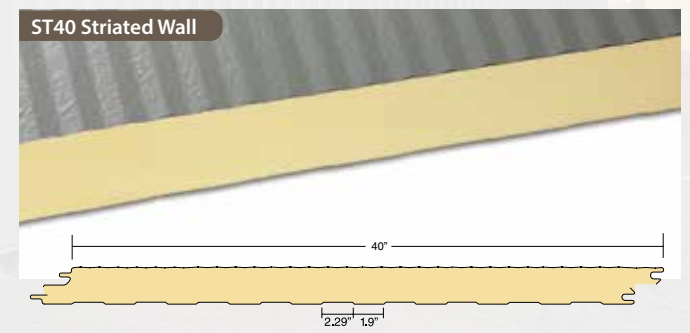
HE40 Heavy Embossed Wall



HE40A AdobeTexture™ Wall



ST40 Striated Wall



RETRO-MASTER® SYSTEM

Solutions for existing flat roofs

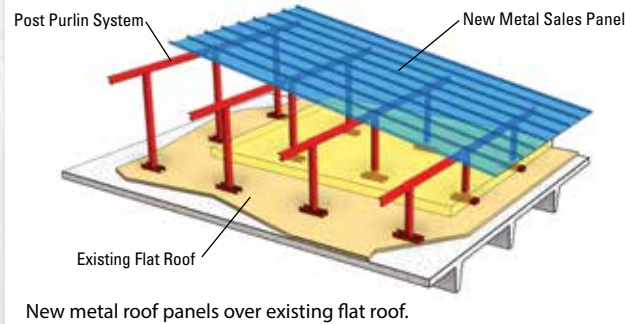
Retro-Master® is a complete retrofit roof system that easily and affordably transforms old and failing roofs into a new code-compliant and energy-efficient sloped metal roof.

As a single-source solution Retro-Master® retrofit roof system is backed by a 20 year weathertight warranty and an industry-leading 45 year paint finish warranty. It is the ideal solution for schools, universities, retail centers, industrial or office building, military or any other building needing a new, long-lasting, high performance roof.

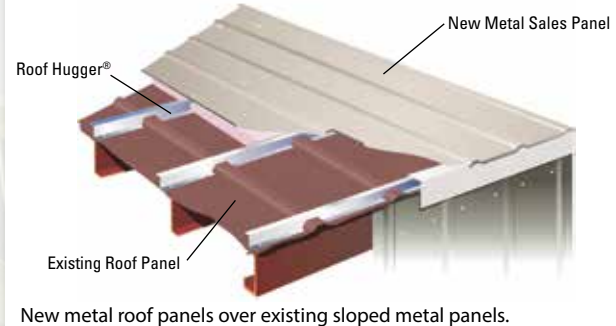
Solutions for existing sloped metal roofs

Metal-Over-Metal Reroof Solution combines high quality Metal Sales roof panels with a patented Roof Hugger® sub-purlin retrofit framing system to deliver a new, structurally sound roof that will stand the test of time.

Post-Purlin Retrofit System



Metal over Metal System



PERFORATION

- Perforated panels are an aesthetic design solution
- Wide array of panel profiles
- Available gauges: 24, 22, 20 or 18
- Windscreens, balcony railings, equipment and concealment screens, ventilation and interior liner



MITERED CORNERS

- Non-Insulated panels up to 3" deep
- Vertical & Horizontal applications
- Profile widths or modules up to 36"
- +/- 90 Degrees (Inside – Outside – Double Corners)
- Corner leg dimensions up to 4'-0" in either direction



CURVED PANEL OPTIONS

- Factory and site curving options
- Available profiles: Magna-Loc180 and Mini-Batten
- Magna-Loc 180: 20' min radius, no max radius
- Mini-Batten: min Convex radius: 4'
min Concave radius: 6'



Coating Systems

Whether your designs reflect rural or urban architecture, our unique colors and paint effects will bring your ideas to life. We offer more than 35 color combinations including the convenient Standard Color range and the Premium Effects selection for both roof and wall panels.

These PVDF resin-based coatings contribute to architectural projects' sustainability goals, offer lower maintenance and longer life-cycles.

Meet or exceed codes and standards

Our advanced coating technology ensures Metal Sales finishes and colors meet demonstrated energy performance requirements established by ENERGY STAR® and the Cool Roof Rating Council (CRRC) for solar reflectance and thermal emittance for steep sloped and/or low sloped buildings. Certain products may also comply with LEED® and Green Globes rating requirements for steep slope solar reflectance index (SRI).



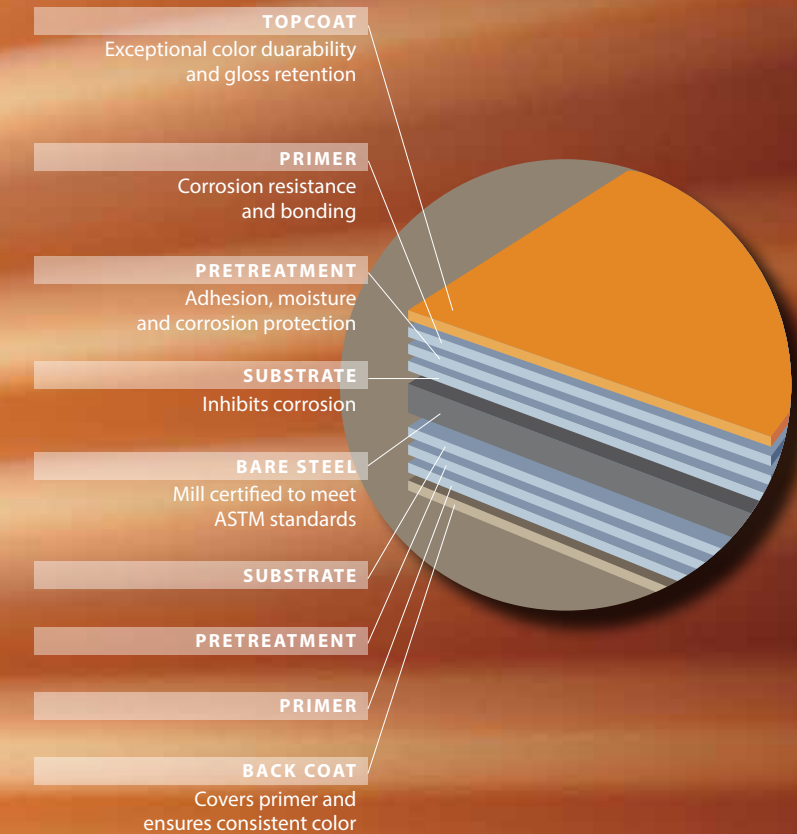
steep slope solar reflectance index (SRI).

Benefits of cool colors

Cool roof colors are offered from an engaging palette of light neutrals to dark saturated hues that respect the environment and help achieve your vision. Cool roofs may also contribute to other strategies for optimizing energy performance. Energy savings and other direct benefits are contingent upon building type, location and use.

Substrate materials

Our line of durable substrate materials includes steel, stainless steel, weathering steel, copper and aluminum. Your Metal Sales representative has technical information on material and coating compatibility.



RATING AND CERTIFICATION REQUIREMENTS

| | Steep Sloped Building Roof slope > 2:12 | Low Sloped Building Roof slope ≤ 2:12 |
|--------------------------|---|---|
| ENERGY STAR ¹ | Initial Solar Reflectance ≥ 0.25 3 year Solar Reflectance ≥ 0.15 | Initial Solar Reflectance ≥ 0.65 3 year Solar Reflectance ≥ 0.50 |
| CRRC ² | Solar Reflectance ≥ 0.20 Thermal Emittance ≥ 0.7 | Solar Reflectance ≥ 0.70 Thermal Emittance ≥ 0.75 |
| LEED ² | SRI ≥ 29 | SRI ≥ 78 |
| Green Globes | SRI ≥ 29 | SRI ≥ 78 |

¹PVDF is at least 70% or Hylar 5000

²Contact Metal Sales or visit metalsales.us.com for a complete listing of finishes and colors, their energy performance characteristics and compliance per organization's requirements.

Technical Support

Metal Sales offers deep expertise before, during and after project specification, installation and commission. Our nationwide footprint puts us within reach of most projects.

We work closely with architects, contractors, owners and specifiers to ensure that all questions are answered quickly and with full attention to detail.

Metal Sales offers responsive technical support nationwide, including product information, guide specifications, technical details, AutoCad drawings and BIM models accessible 24/7 on our website. Our highly trained architectural consultants are ready and available to provide assistance. Remember, field support is never far away.

We offer AIA Continuing Education programs to provide architects with learning opportunities on high performance aspects of metal roof and wall systems and their role in sustainable and Net-Zero design.

Our in-house architectural design and engineering assistance offers a world-class customer experience, dedicated to making your project a success.

Contact Metal Sales to schedule an AIA continuing education course.



Bee Research Facility | St. Paul, MN
T2630, T13 Wall Panels ▶ Champagne Metallic, Copper Penny, Dark Bronze




FINISHES AND CAPABILITIES CHART

| PANELS | FINISHES | | | | | | | GAUGES | | | | SUBSTRATES | | | | DESIGN | | |
|---|----------|------|----------|------|--------|----------|---------|----------------|----------------|----------------|----------------|------------|--------|-----------------|------------------|-------------|-----------------|---------|
| | Kynar | Mica | Metallic | Nova | Prints | Kameleon | Rustica | 24 Gauge Steel | 22 Gauge Steel | 20 Gauge Steel | 18 Gauge Steel | Aluminum | Copper | Stainless Steel | Weathering Steel | Perforation | Mitered Corners | Curving |
| STANDING SEAM ROOF SYSTEMS | | | | | | | | | | | | | | | | | | |
| Magna-Loc, ML-180 | ● | ● | ● | ● | ● | ● | ● | ● | ● | | | ● | | | | | | ● |
| T-Armor Series™ | ● | ● | ● | ● | ● | ● | ● | ● | ● | ● | | ● | | | | | | |
| Snap-Loc 24® | ● | ● | ● | ● | ● | ● | ● | ● | ● | | | | | | | | | |
| Seam-Loc 24® | ● | ● | ● | ● | ● | ● | ● | ● | ● | | | | | | | | | |
| Vertical Seam | ● | ● | ● | ● | ● | ● | ● | ● | ● | | | ● | ● | | ● | | | |
| Mini-Batten | ● | ● | ● | ● | ● | ● | ● | ● | ● | | | ● | | | | | | ● |
| CONCEALED FASTENER WALL SYSTEMS | | | | | | | | | | | | | | | | | | |
| TLC Series | ● | ● | ● | ● | ● | ● | ● | ● | ● | ● | | ● | | | ● | | | |
| Apex Series™ | ● | ● | ● | ● | ● | ● | ● | ● | ● | | | | | | ● | | ● | |
| Contempra Series™ | ● | ● | ● | ● | ● | ● | ● | ● | ● | | | | | | ● | | ● | |
| Empire Series™ | ● | ● | ● | ● | ● | ● | ● | ● | ● | | | | | | ● | | ● | |
| TL Series | ● | ● | ● | ● | ● | ● | ● | ● | ● | ● | ● | ● | | | ● | ■ | | |
| Soffit Panel | ● | ● | ● | ● | ● | ● | ● | ● | ● | | | ● | | | | ● | | |
| EXPOSED FASTENER ROOF AND WALL SYSTEMS | | | | | | | | | | | | | | | | | | |
| T10 Series | ● | ● | ● | ● | ● | ● | ● | ● | ● | ● | ● | ● | | ● | ● | ■ | ● | |
| T2, T3, T4, T5, T6-A | ● | ● | ● | ● | ● | ● | ● | ● | ● | ● | ● | ● | | ● | ● | | ● | |
| T16-E, T16-L | ● | ● | ● | ● | ● | ● | ● | ● | ● | ● | ● | ● | | ● | ● | ■ | ● | |
| T2630, T2832 | ● | ● | ● | ● | ● | ● | ● | ● | ● | ● | ● | ● | | ● | ● | | ● | |
| T13, T13-A, T23, T25 | ● | ● | ● | ● | ● | ● | ● | ● | ● | ● | ● | ● | | ● | ● | | ● | |
| TDR-6 | ● | ● | ● | ● | ● | ● | ● | ● | ● | ● | ● | ● | | ● | ● | | ● | |
| IC72-Panel | ● | ● | ● | ● | ● | ● | ● | ● | ● | ● | | | | | ● | ● | ● | |
| 7/8" Corrugated | ● | ● | ● | ● | ● | ● | ● | ● | ● | ● | | | | | ● | ● | | |
| 2 1/2" Corrugated | ● | ● | ● | ● | ● | ● | ● | ● | | | | | | | | ● | | |
| INSULATED WALL AND ROOF SYSTEMS | | | | | | | | | | | | | | | | | | |
| IMPower Series™ | ● | | | | | | | ● | ● | | | | | | | | | ● |

■ Specific profiles in the series are available for perforation. Contact Metal Sales for more information.

Contact Us:
metalsales.us.com
800.406.7387



Stay Connected:   



ms metal salesTM
manufacturing corporation