

# S-5!<sup>®</sup>

## The Right Way

### MLPE Mount<sup>™</sup>

**Secure and bond microinverters and power optimizers to metal roof profiles.**

The MLPE Mount provides a cost-effective, versatile method to attach module level power electronics (MLPE) directly to solar PV module frames.

Designed to be used with solar panels, the MLPE Mount secures most optimizers and microinverters anywhere along the underside of the module frame.

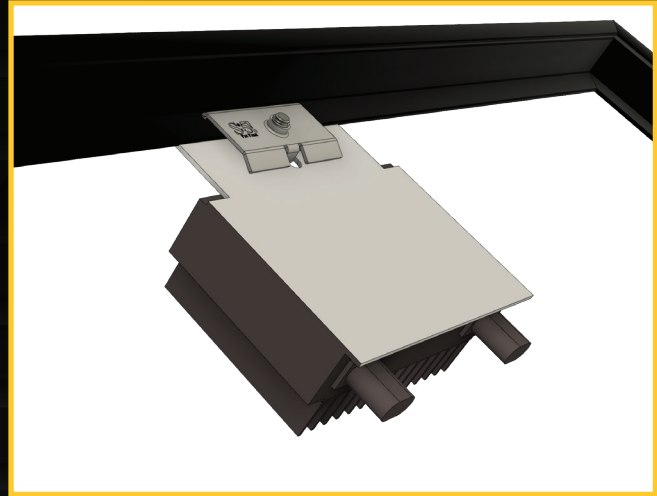
This provides the versatility needed to better handle module-to-module wire management and electrically bonds the equipment together to easily comply with grounding requirements.

#### Installation Flexibility

Install MLPEs before lifting the modules on the roof to save time. Easily adjust the mount if needed when on the roof.

A unique tab feature makes installation quick and easy; securing MLPEs in-place as the mount is tightened. And with a 304 stainless steel body and fastener, there are no corrosion issues to worry about.

Ideal for use with all S-5!'s solar attachments, the MLPE Mount can be used in rail-based installations or can be paired with the PVKIT<sup>®</sup> rail-less solar mounting solution for direct attachment to metal roofs.



### Features and Benefits

- Attaches MLPE devices along aluminum module frames
- Bonds MLPE to module frame - UL 2703 approval pending
- 304 stainless steel body & fastener
- Tab design aligns w/ MLPE metal bracket slot, easing installation

The right way to attach MLPEs to virtually all solar module frames!

MLPE Mount<sup>™</sup>



888-825-3432 | [www.S-5.com](http://www.S-5.com) |

# S-5!<sup>®</sup>

The Right Way

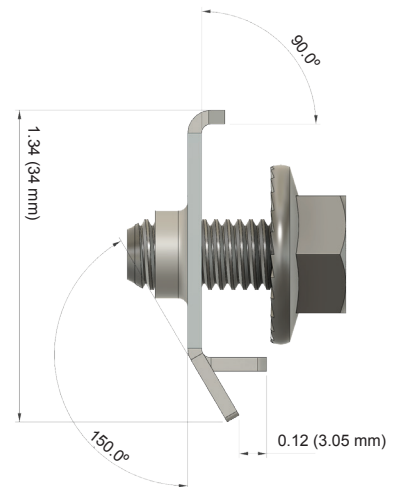
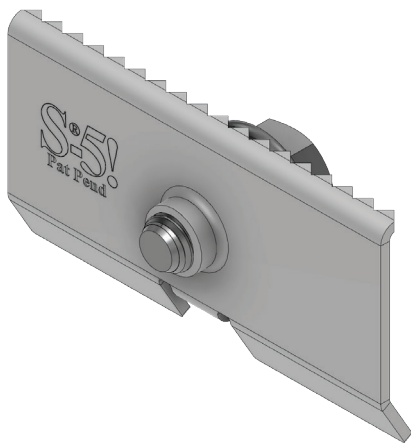
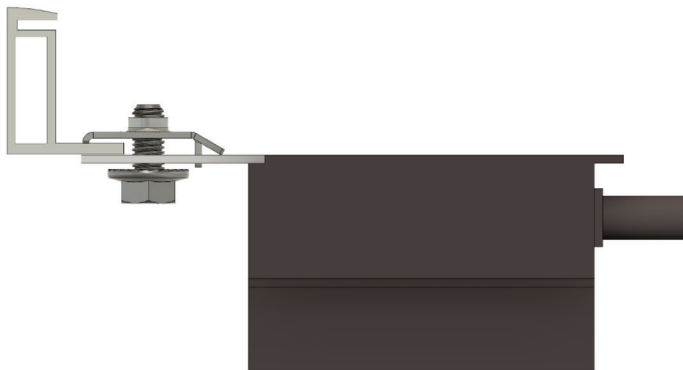
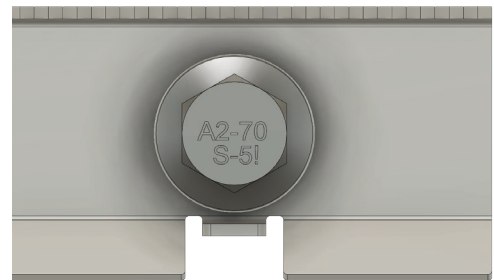
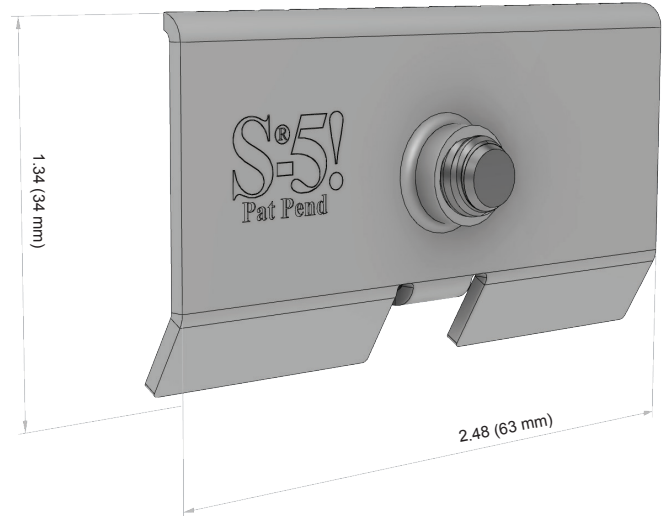
A Cost-Effective & Versatile Method to Attach Module Level Power Electronics (MLPE) Directly to Solar PV Module Frames

MLPE Mount™ is compatible with common metal roofing materials.

For design assistance, ask your distributor or visit [www.S-5.com](http://www.S-5.com) for independent lab test data that can be used for load-critical designs and applications. Also, please visit our website for more information, including metallurgical compatibilities and specifications.

S-5!<sup>®</sup> holding strength is unmatched in the industry.

## MLPE Mount™



### S-5!<sup>®</sup> Warning! Please use this product responsibly!

Products are protected by multiple U.S. and foreign patents. For published data regarding holding strength, bolt torque, patents, and trademarks, visit the S-5! website at [www.S-5.com](http://www.S-5.com).

Copyright 2023, Metal Roof Innovations, Ltd. S-5! products are patent protected. S-5! aggressively protects its patents, trademarks, and copyrights. Version 103023.

Distributed by