

# S-5!<sup>®</sup>

## The Right Way

### PVKIT<sup>®</sup> HUR

**1st Solar & Metal Roof System  
Approved to FM 4478**

An enhanced version of the original PVKIT rail-less, solar mounting solution for metal roofs, PVKIT HUR (High Uplift Resistance) is part of Centroplan's solar and metal roof system; and it is the first of its kind PV mounting system specifically designed for high wind uplift performance of installed solar panels.

Designed for coastal communities, island geographies and other high-wind zone areas, the system is also the first metal roof PV mounting system to receive FM Approvals toughest PV Standard—FM 4478.

Centroplan's listed system combines the PVKIT HUR paired with the S-5-E<sup>™</sup> standing seam clamp, JA modules\*, and the Butler MR-24<sup>®</sup> roof.

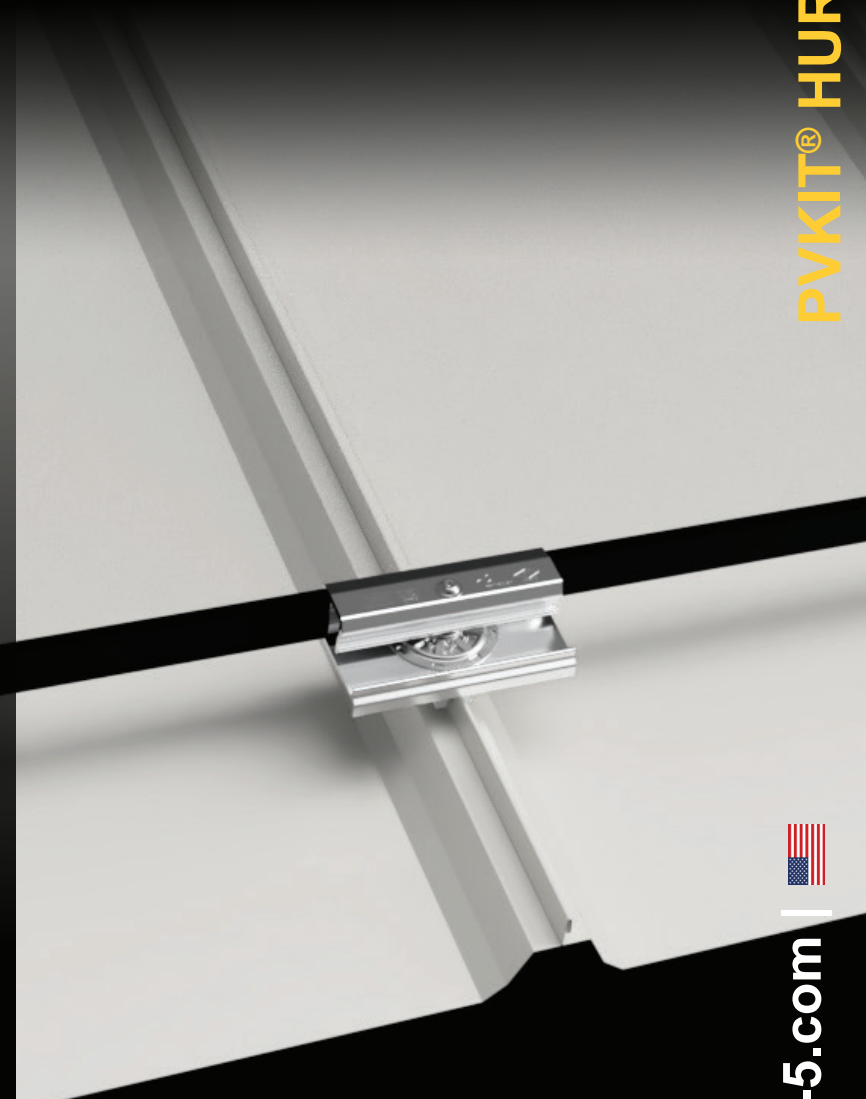
Designed to withstand extreme wind uplift forces such as hurricane forces, as well as heavy snow loads, the 6" (152 mm) length of the overhead grabs, provides a larger contact area with the top of the PV module's frame. This prevents it from releasing as the module frame bows under extreme forces. A new contact surface design and angle also increases the grip on the frame.

The new baseplate design further prevents the module from bending and disengaging under high wind uplift forces. Together, these features improve the structural integrity of the module-to-roof attachment.

\*For the specific models of compatible JA PV modules, see reverse side of brochure.



PVKIT<sup>®</sup> HUR



## Features and Benefits

- Increases wind uplift resistance of mounted solar modules - 105 psf rating
- Gravity (snow) load strength test - 120 psf rating
- Listed to FM Approvals toughest PV standard
- Reduces added dead load of mounting components
- Improves load distribution by 25% reducing point loads

The right way to attach solar PV to standing seam roof profiles!

888-825-3432 | [www.S-5.com](http://www.S-5.com)

# S-5!<sup>®</sup>

The Right Way

Specifically designed for high wind uplift performance of installed solar panels, PVKIT HUR is part of the strongest direct-attach metal roof PV system in the world. It's the first solar & metal roof system approved to FM 4478.

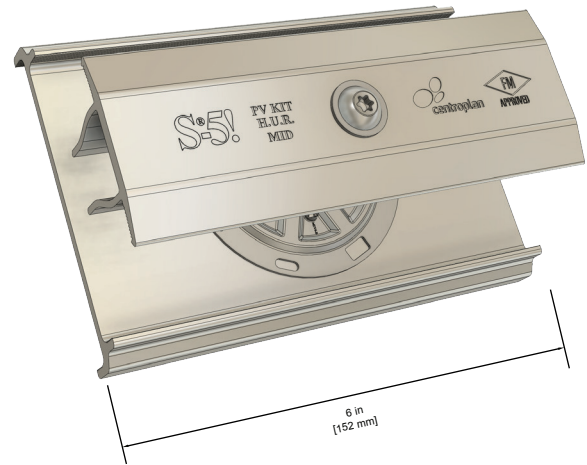
PVKIT<sup>®</sup> HUR is compatible with common metal roofing materials. For design assistance, ask your distributor, or visit [www.S-5.com](http://www.S-5.com) for the independent lab test data that can be used for load-critical designs and applications. Also, please visit our website for more information including metallurgical compatibilities and specifications.

**S-5!<sup>®</sup> holding strength is unmatched in the industry.**



Read more about the partnership.

## PVKIT<sup>®</sup> HUR



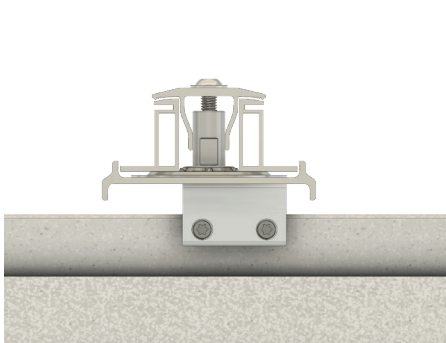
### System Partners

**JA SOLAR**

JAM54D30/JAM54D40  
PV Modules



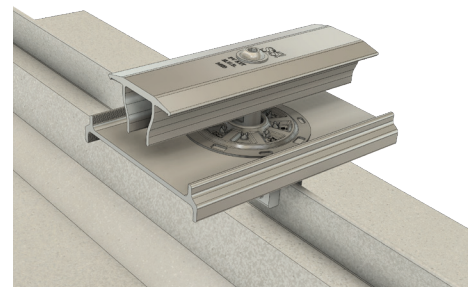
MR-24<sup>®</sup> Roof



Side View (attached to seam with S-5-E<sup>™</sup> standing seam clamp)



Top View



Isometric View

**S-5!<sup>®</sup> Warning! Please use this product responsibly!**

Products are protected by multiple U.S. and foreign patents. For published data regarding holding strength, bolt torque, patents, and trademarks, visit the S-5! website at [www.S-5.com](http://www.S-5.com).

Copyright 2023, Metal Roof Innovations, Ltd. S-5! products are patent protected. S-5! aggressively protects its patents, trademarks, and copyrights. Version 090623.

Distributed by